

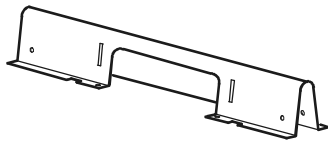
Data Cable Partitions—Installation

Overview

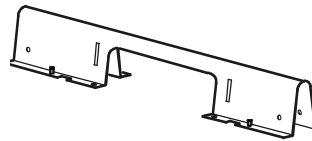
Data Cable Partitions separate power cables and data cables that are routed on the roofs of NetShelter[®] enclosures or in an InfraStruXure[®] system. Each Data Cable Partition is one piece and has openings for routing data cables in and out of enclosures.

Data Cable Partitions

NetShelter SX Enclosures.

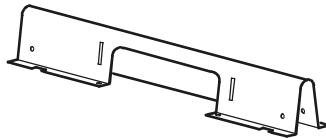


Data Cable Partition
AR8162ABLK (600-mm wide)
AR8172BLK (750-mm wide)

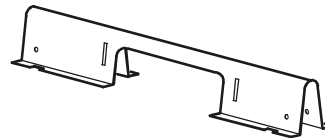


Pass-through Data Cable Partition
AR8163ABLK (600-mm wide)
AR8173BLK (750-mm wide)

InfraStruXure Power Distribution Unit (PDU).

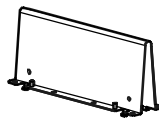


Data Cable Partition, InfraStruXure PDU
AR8182BLK (750-mm wide)



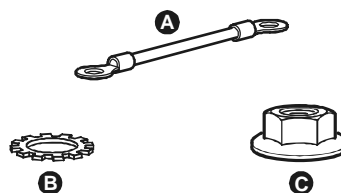
Pass-through Data Cable Partition,
InfraStruXure PDU
AR8183BLK (750-mm wide)

InfraStruXure InRow[®] RC.



Data Cable Partition
AR8184 (300-mm wide)

Included with each partition

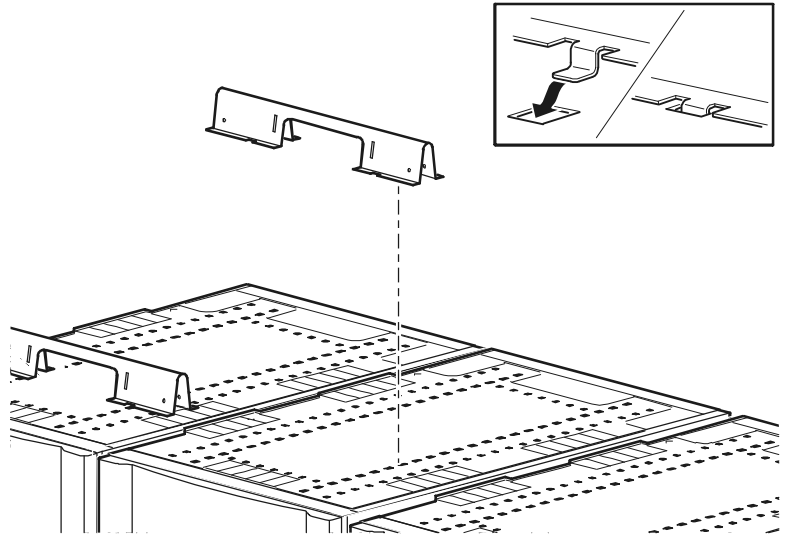


- Ⓐ 8-in ground strap (1)
- Ⓑ M6 serrated lock washer (4)
- Ⓒ M6 flanged hex nut (2)

Installing Data Cable Partitions

Use the procedure in this section to install all of the Data Cable Partitions. You can install Data Cable Partitions on a NetShelter Enclosure or a PDU.

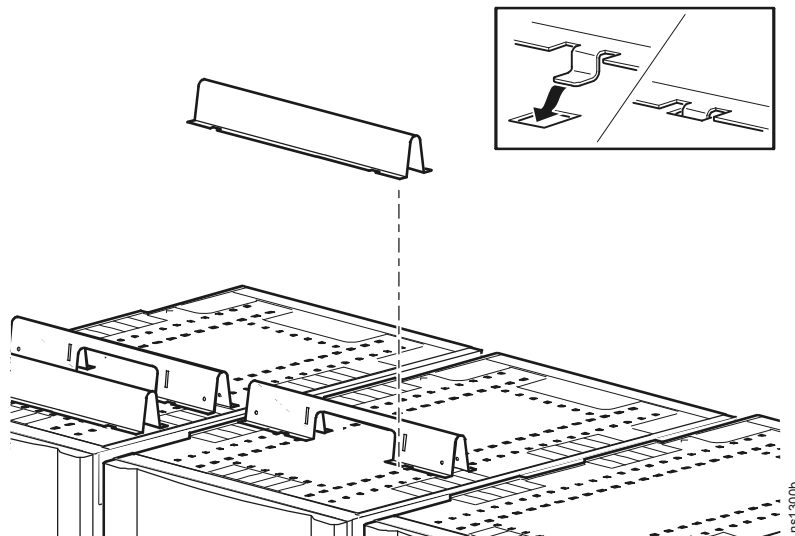
1. Squeeze the two sides of the Pass-through Data Cable Partition to insert the fastening tabs into a set of square holes.



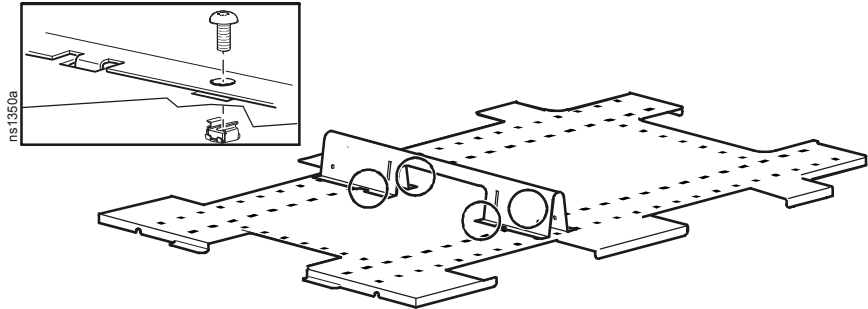
2. Determine the width that will be required for data cable routing, then install the Data Cable Partition at the front of the roof with a solid side in the same manner as step 1.



Note: Use a Data Cable Partition with a solid side at the front of the enclosure to ensure a finished appearance.



Seismic environments

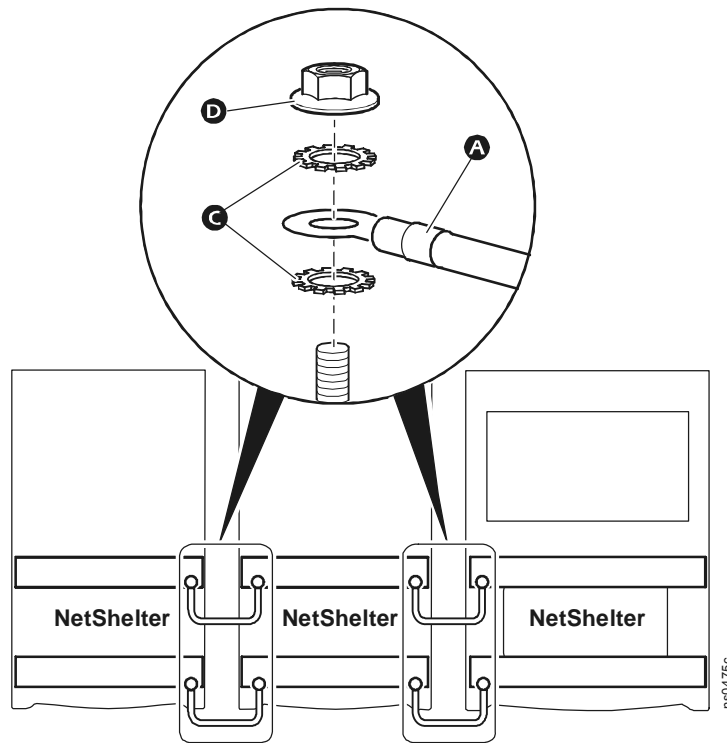


Note: For installations in environments with seismic requirements, install cage nuts and screws (provided with enclosure) in the holes on the roof that are aligned with the holes on the partition.

Bonding Data Cable Partitions and ladders

To bond NetShelter Data Cable Partitions to one another:

1. Attach one end of an 8-in ground wire **A** to a ground stud on the partition and secure the ground wire with two M6 washers **C** and an M6 nut **D** as shown.



2. Connect the free ends of the ground wires to the ground stud on the partition adjacent to the first partition, and secure the grounding wires with two M6 washers **C** and an M6 nut **D**.

Grounding ladders



See “How to Ground the Ladder” in the Cable Ladder Installation with Troughs and Partitions Sheet, included with each Cable Ladder, for grounding instructions.



This manual is available in English on the APC Web site (www.apc.com).

Dieses Handbuch ist in Deutsch auf der APC Webseite (www.apc.com) verfügbar.

Questo manuale è disponibile in italiano sul sito web di APC (www.apc.com).

Ce manuel est disponible en français sur le site internet d'APC (www.apc.com).

Este manual está disponible en español en la página web de APC (www.apc.com).

本マニュアル<各国の言語に対応する>は APC ウェブサイト (www.apc.com) からダウンロードできます。

Este manual está disponível em português no site da APC (www.apc.com).

Instrukcja obsługi w języku polskim jest dostępna na stronie internetowej APC (www.apc.com).

Данное руководство на русском языке доступно на сайте APC (www.apc.com)

在 APC 公司的网站上 (www.apc.com) 有本手册的中文版。

APC Worldwide Customer Support

Customer support for this or any other APC product is available at no charge in any of the following ways:

- Visit the APC Web site to access documents in the APC Knowledge Base and to submit customer support requests.
 - **www.apc.com** (Corporate Headquarters)
Connect to localized APC Web sites for specific countries, each of which provides customer support information.
 - **www.apc.com/support/**
Global support searching APC Knowledge Base and using e-support.
- Contact the APC Customer Support Center by telephone or e-mail.
 - Local, country-specific centers: go to **www.apc.com/support/contact** for contact information.

For information on how to obtain local customer support, contact the APC representative or other distributors from whom you purchased your APC product.

Entire contents copyright 2008 American Power Conversion Corporation. All rights reserved. Reproduction in whole or in part without permission is prohibited. APC, the APC logo, NetShelter, and InfraStruXure are trademarks of American Power Conversion Corporation. All other trademarks, product names, and corporate names are the property of their respective owners and are used for informational purposes only.



990-3399-001



11/2008